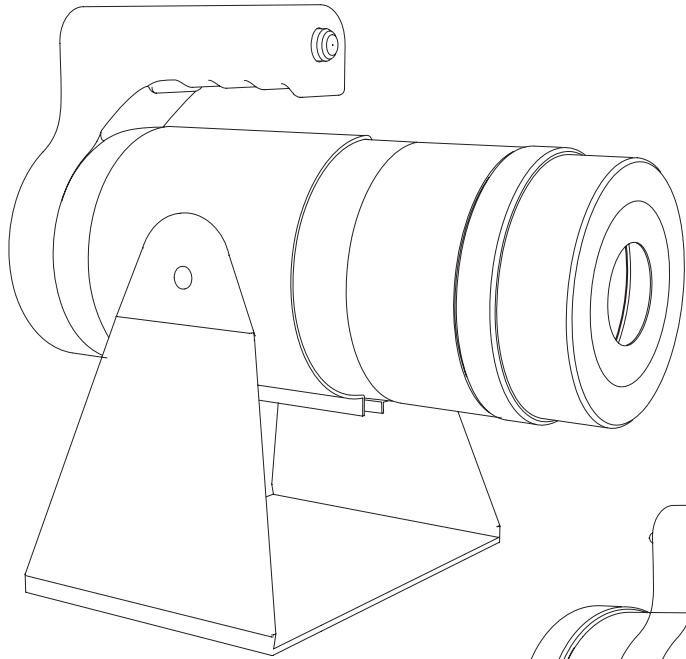
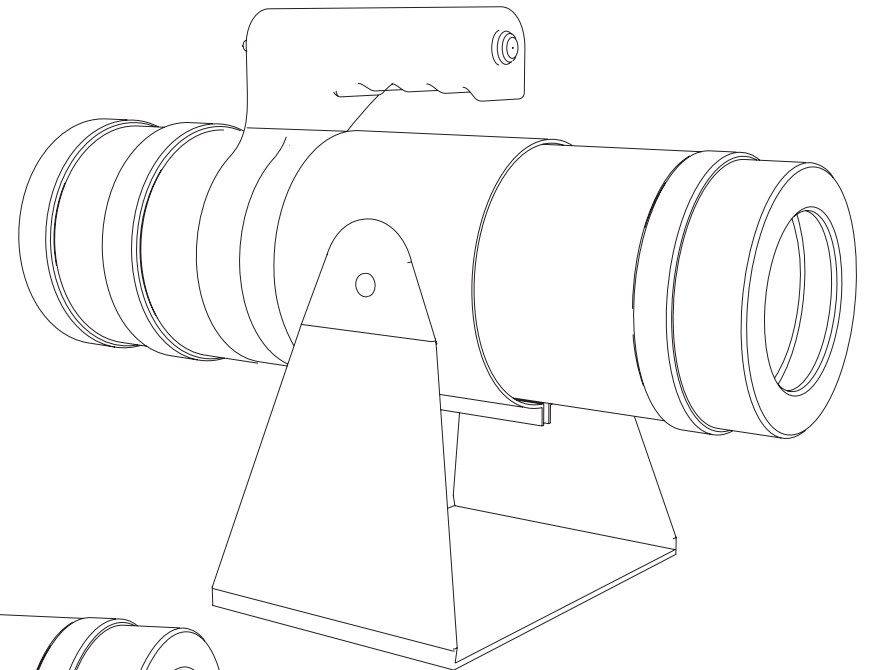


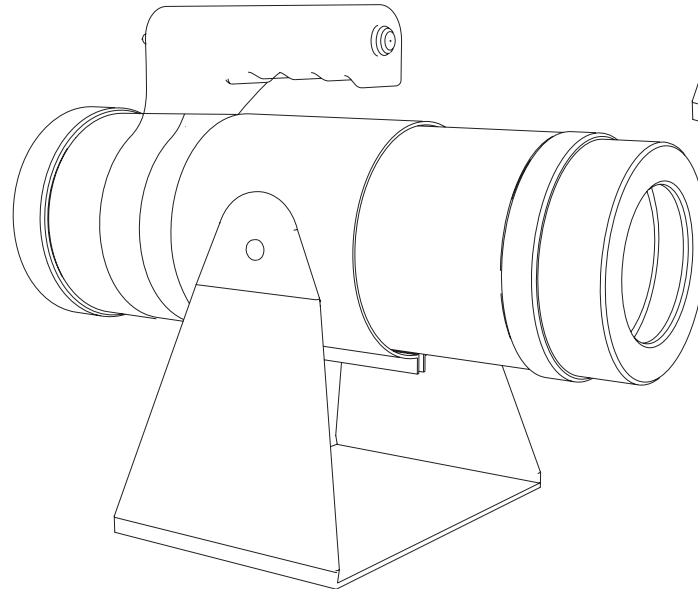
# 400 Series Power Unit Parts List



**Model 400**

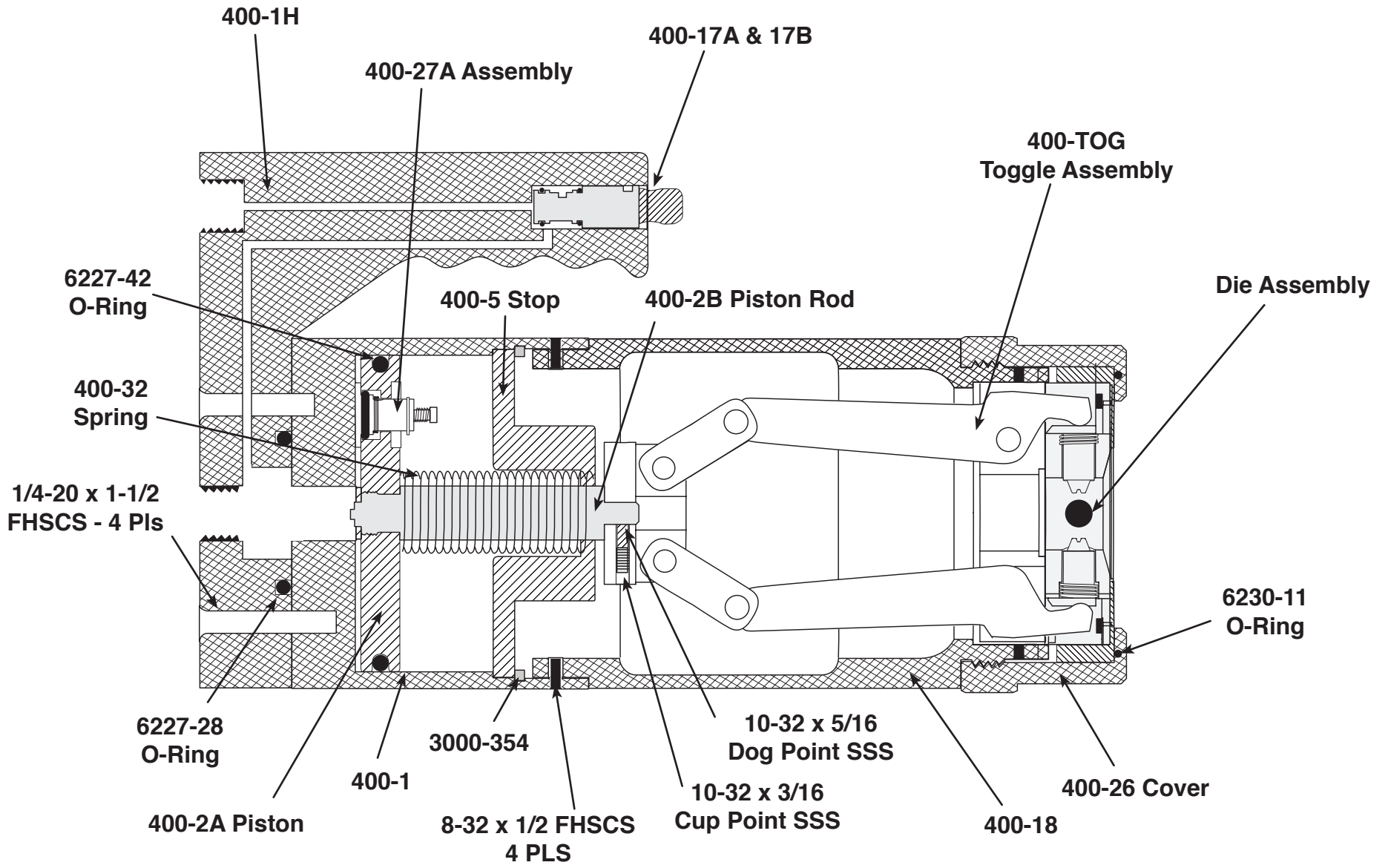


**Model 400-B-1**



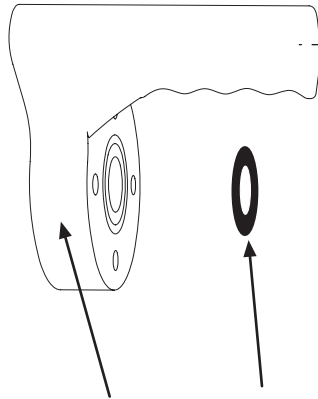
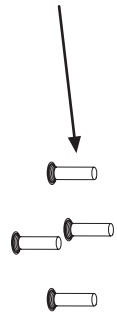
**Model 400-BHD**

# Model 400 Cross-section View



# Model 400 Exploded View

1/4-20 x 1-1/2  
FHSCS - 4 Pls



400-1H  
Handle

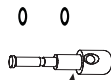
6227-28  
O-Ring

6227-07

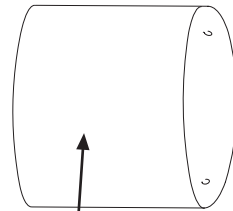


400-17A

6227-02



400-17B



400-1  
Body

6227-42  
O-Ring

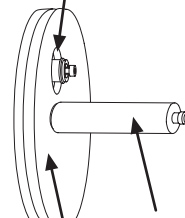


.040 SS  
Washer



1/4-20 x 3/8  
SHCS

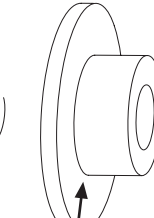
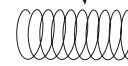
400-27A



400-2A  
Piston

400-2B  
Piston Rod

400-32  
Spring

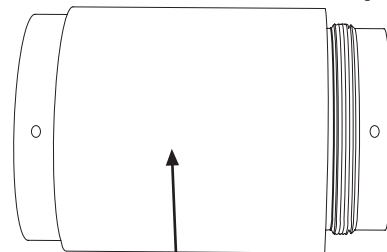


400-5  
Stop

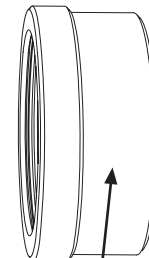
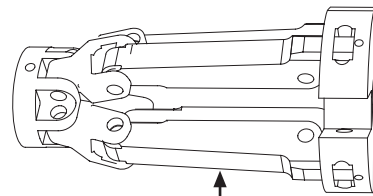


3000-354  
Retaining Ring

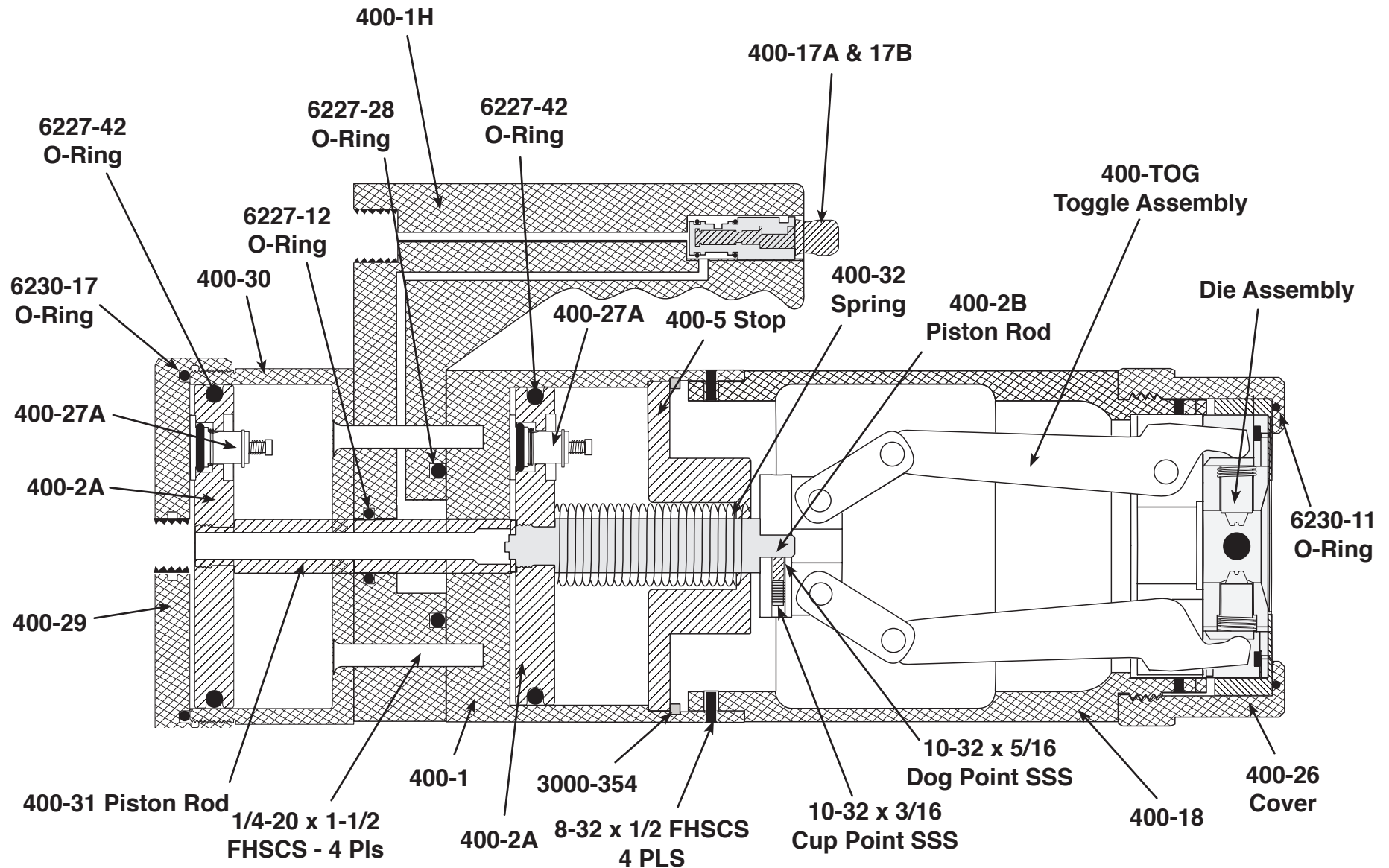
8-32 x 1/2  
FHSCS  
4 Pls



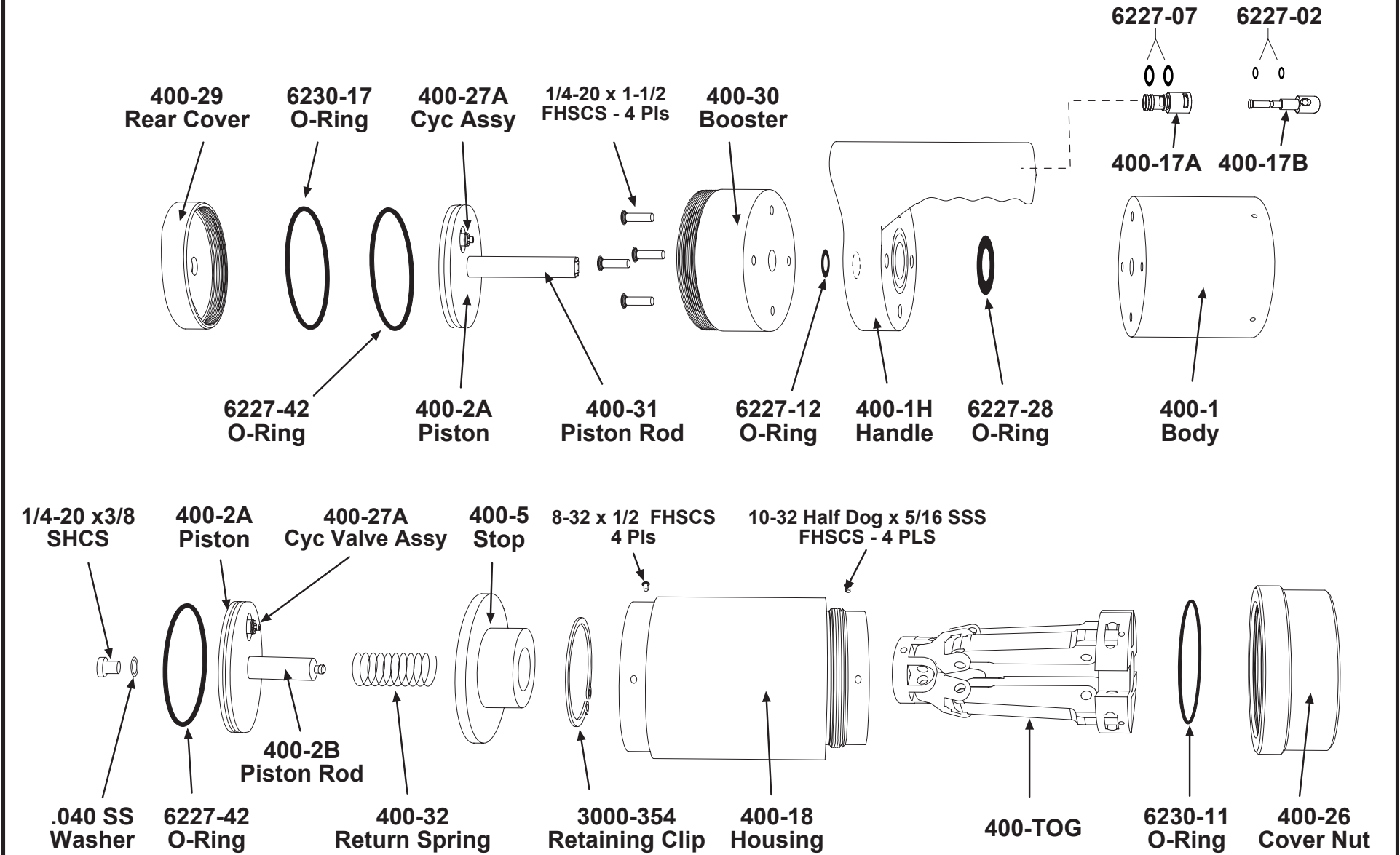
10-32 Half Dog x 5/16 SSS  
4 Pls



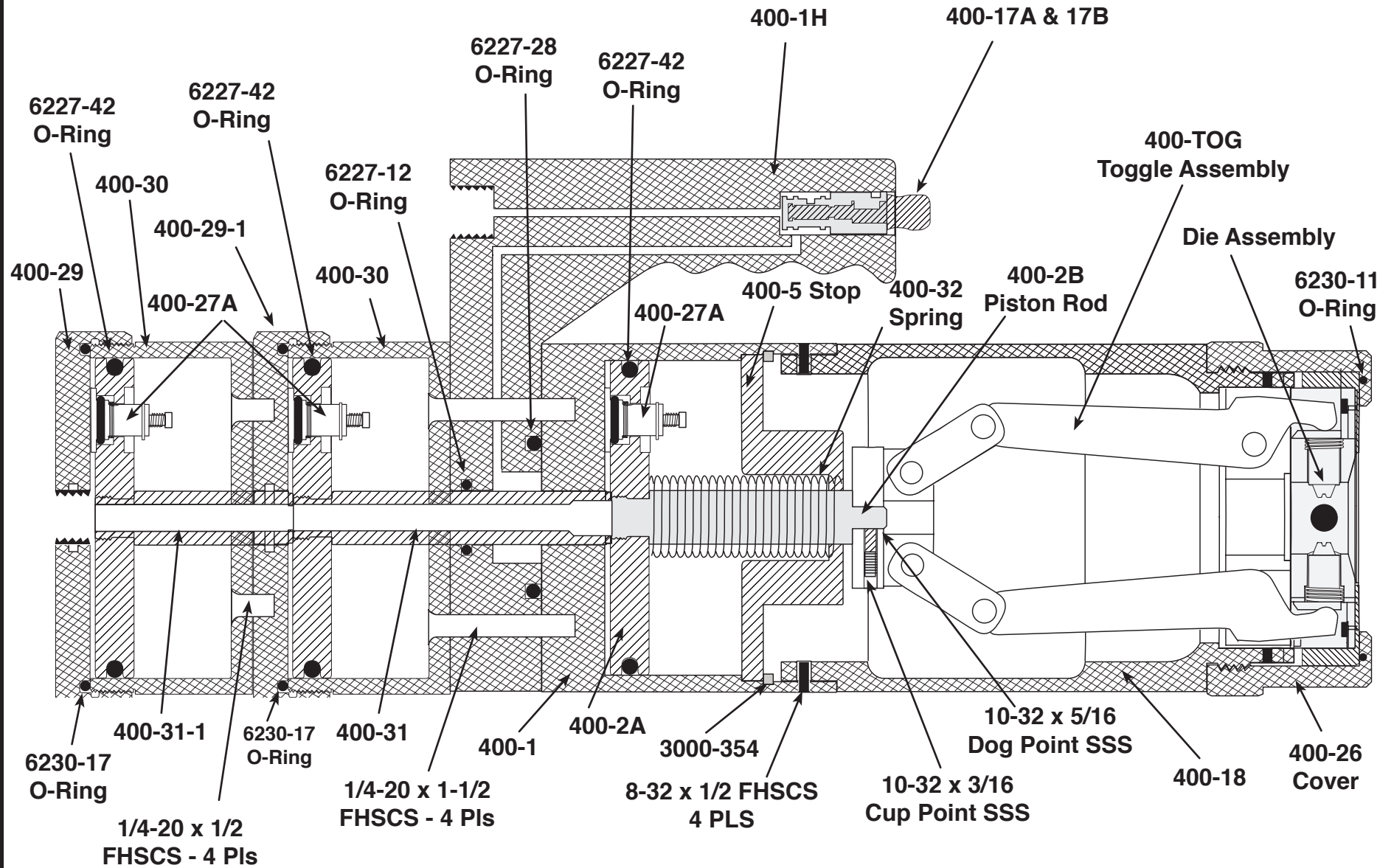
# 400-BHD Cross-section View



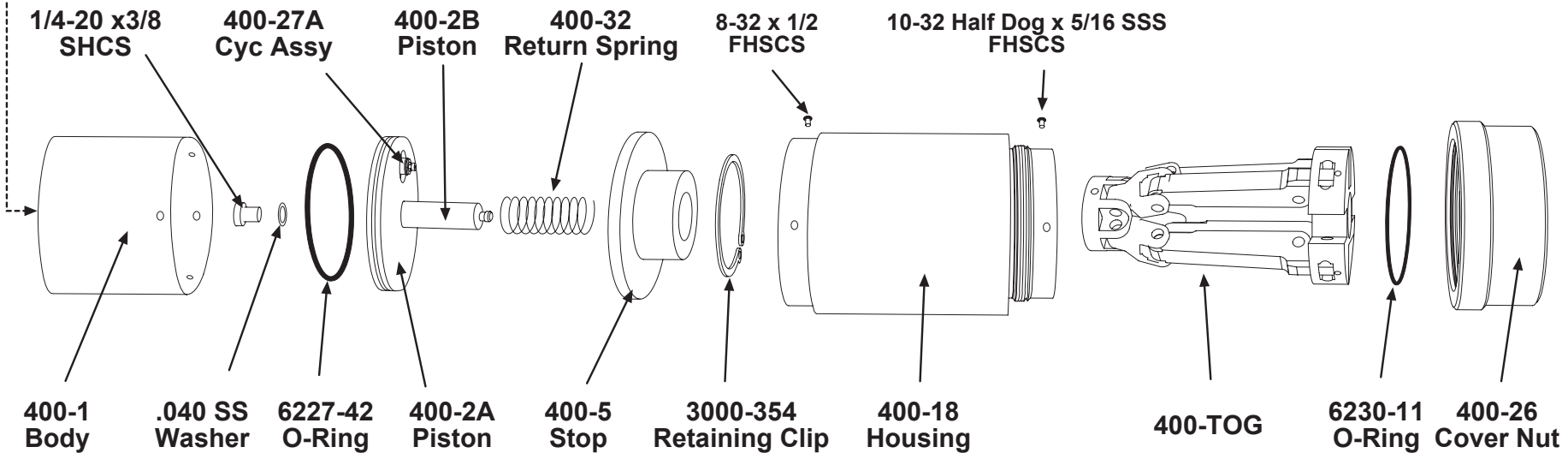
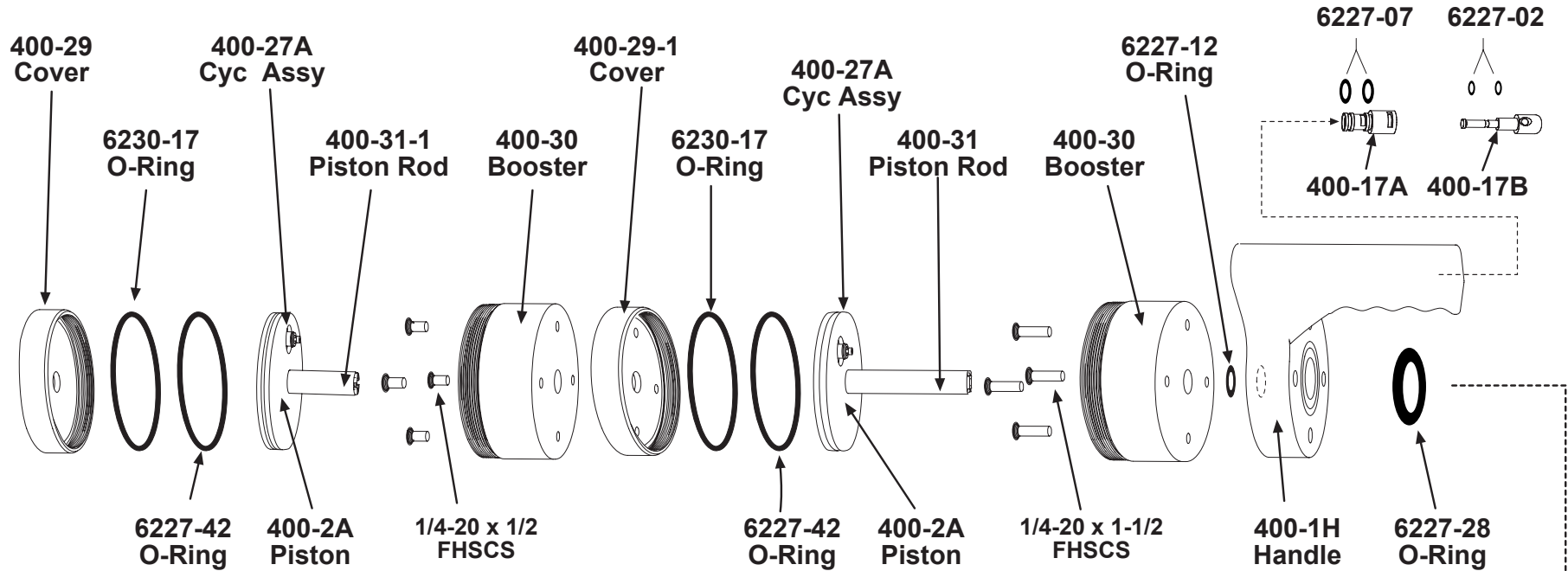
# 400-BHD Exploded View



# 400-B-1 Cross-section View

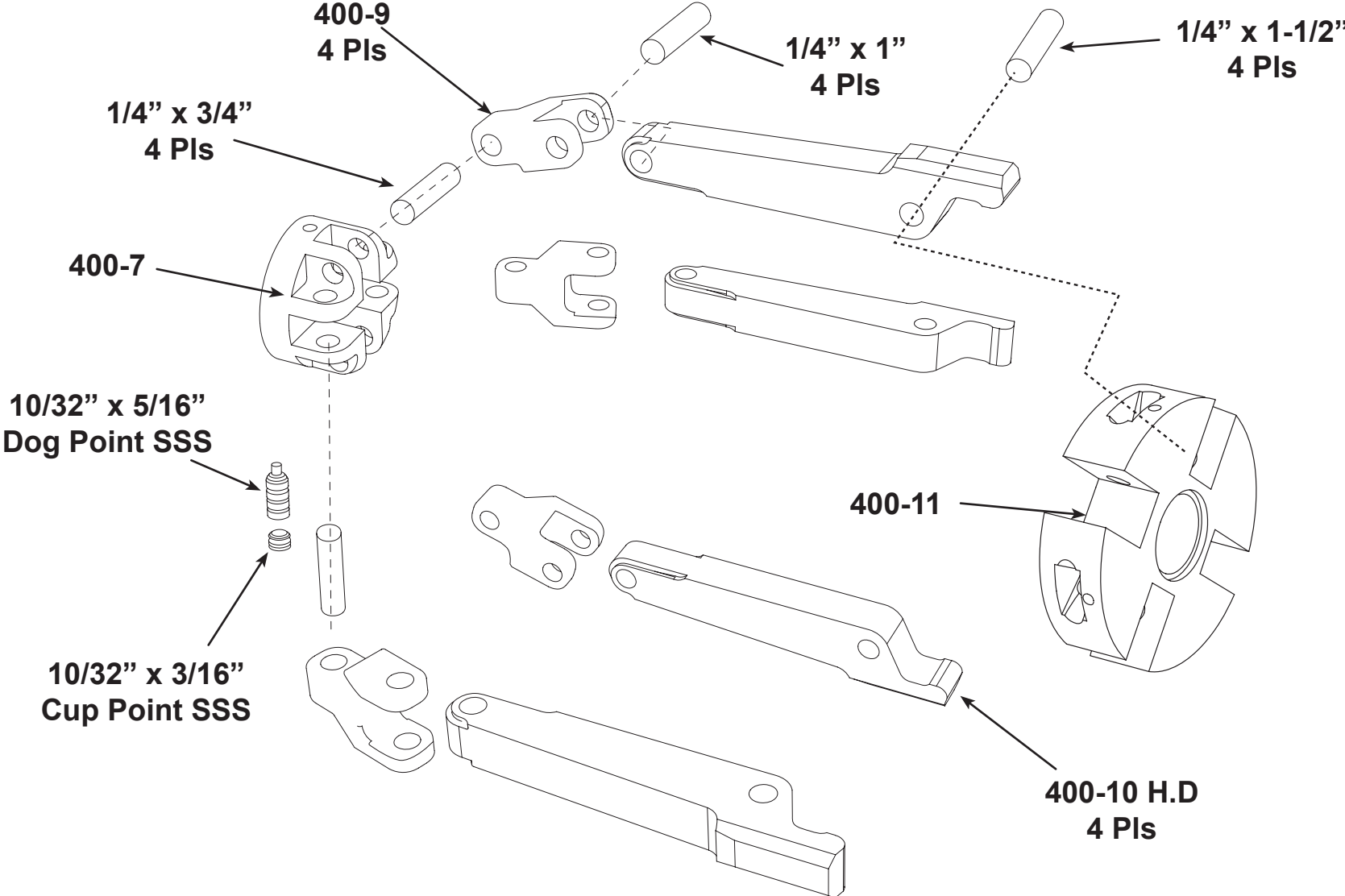


# 400-B-1 Exploded View

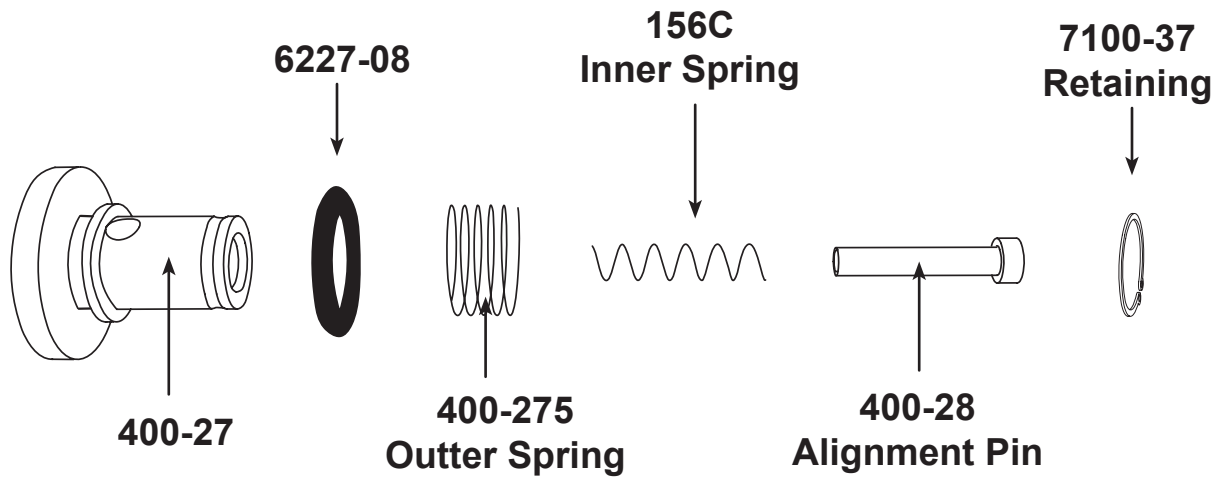
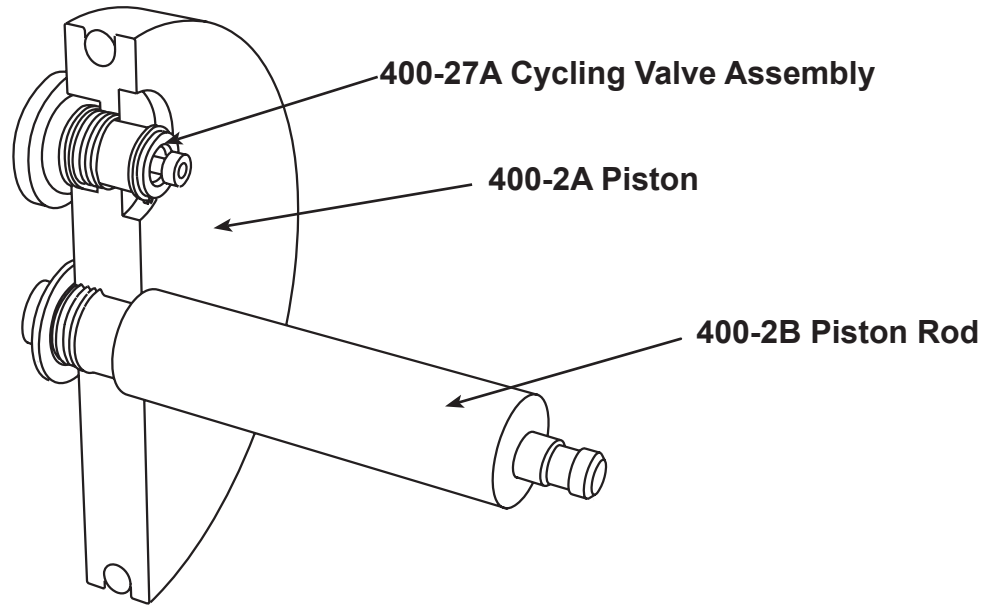


# 400-TOG Toggle Assembly

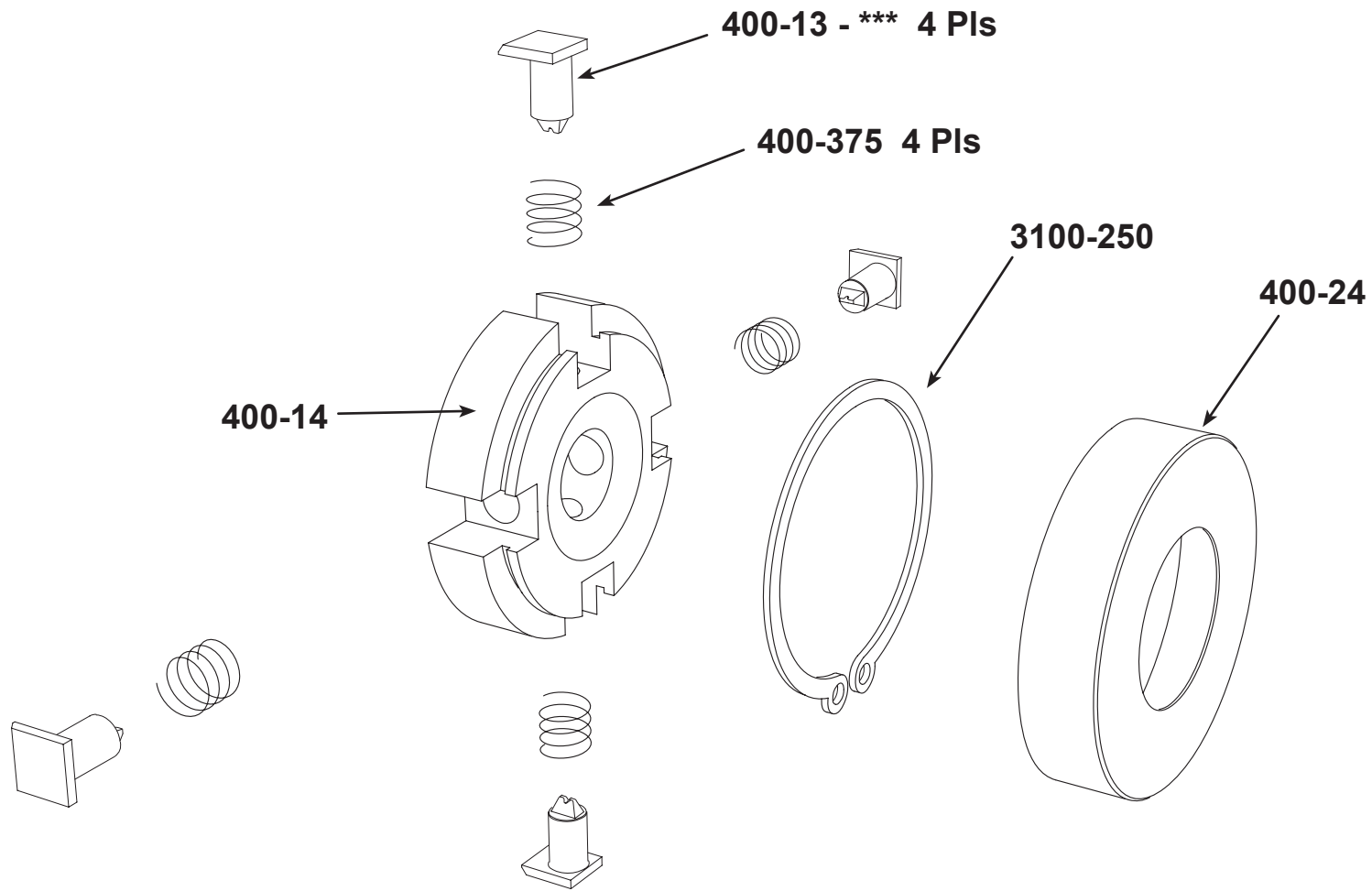
( all models )



# 400-27A Cycling Valve Assembly ( all models )



# Die Assembly



**\*\*\* Specific Indentor Part Number  
is determined by the Die Application**

## PARTS LISTS • MODEL 400 POWER UNIT

Part #	Description	Qty	Part #	Description	Qty
.040 SS Washer	Washer	1			
8-32 x 1/2 FHSCS	Flat Head Cap Screw	4	<b>400-TOG</b>	<b>Toggle Unit</b>	<b>1</b>
10-32 x 5/16 FHSCS	Half Dog SSS	4	1/4 x 3/4	Dowel	4
1/4-20 x 3/8 SHCS	Socket Head Screw	1	1/4 x 1	Dowel	4
1/4-20 x 1-1/2 FHSCS	400-1H Screws	4	1/4 x 1-1/2	Dowel	4
400-1	Body	1	10-32 x 3/16 SSS	Cup Point Screw	1
400-1H	Handle	1	10-32 x 5/16 SSS	Dog Point Screw	1
400-2A	Front Piston	1	400-7	Rear Anchor	1
400-2B	Front Piston Rod	1	400-9	Yoke	4
400-5	Piston Stop	1	400-10-HD	Heavy Duty Arm	4
400-17A	Trigger Housing	1	400-11	Retainer	1
400-17B	Trigger Slide	1			
400-18	Front Housing	1	3000-354	Retaining Ring	1
400-26	Cover Nut	1	6227-02	O-Ring	2
			6227-07	O-Ring	2
<b>400-27A</b>	<b>Cycling Valve Assembly</b>	<b>1</b>			
156C	Inner Spring	1	6227-28	O-Ring	1
400-27	Cycling Valve Body	1	6227-42	O-Ring	1
400-275	Outer Spring	1	6230-11	O-Ring	1
400-28	Alignment Pin	1			
6227-08	O-Ring	1			
7100-37	Retaining Ring	1			
400-32	Return Spring	1			
400-BM	Bench Mount	1			

## PARTS LISTS • 400-BHD POWER UNIT

Part #	Description	Qty	Part #	Description	Qty
.040 SS Washer	Washer	1	<b>400-TOG</b>		
8-32 x 1/2 FHSCS	Flat Head Cap Screw	4	1/4 x 3/4	Dowel	4
10-32 x 5/16 FHSCS	Half Dog SSS	4	1/4 x 1	Dowel	4
1/4-20 x 3/8 SHCS	Socket Cap Screw	1	1/4 x 1-1/2	Dowel	4
1/4-20 x 1-1/2 FHSCS	Booster Body Cap Screw	4	10-32 x 3/16 SSS	Cup Point Screw	1
400-1	Body	1	10-32 x 5/16 SSS	Dog Point Screw	1
400-1H	Handle	1	400-7	Rear Anchor	1
400-2A	Front Piston	2	400-9	Yoke	4
400-2B	Front Piston Rod	1	400-10-HD	Heavy Duty Arm	4
400-5	Piston Stop	1	400-11	Retainer	1
400-17A	Trigger Housing	1			
400-17B	Trigger Slide	1	3000-354	Retaining Ring	1
400-18	Front Housing	1	6227-02	O-Ring	2
400-26	Cover Nut	1	6227-07	O-Ring	2
<b>400-27A</b>	<b>Cycling Valve Assembly</b>	<b>2</b>	6227-12	O-Ring	1
156C	Inner Spring	1	6227-28	O-Ring	1
400-27	Cycling Valve Body	1	6227-42	O-Ring	2
400-275	Outer Spring	1	6230-11	O-Ring	1
400-28	Alignment Pin	1	6230-17	O-Ring	1
6227-08	O-Ring	1			
7100-37	Retaining Ring	1			
400-29	Booster Cap	1			
400-30	Booster Body	1			
400-31	Piston Rod	1			
400-32	Return Spring	1			
400-BM	Bench Mount	1			

## PARTS LISTS • 400-B-1 POWER UNIT

Part #	Description	Qty	Part #	Description	Qty
.040 SS Washer	Washer	1	400-32	Return Spring	1
8-32 x 1/2 FHSCS	Flat Head Cap Screw	4	400-BM	Bench Mount	1
10-32 x 5/16 FHSCS	Half Dog SSS	4			
1/4-20 x 1/2 FHSCS	Booster Body Cap Screw	4	<b>400-TOG</b>		
1/4-20 x 3/8 FHSCS	Socket Head Cap Screw	1	1/4 x 3/4	Dowel	4
1/4-20 x 1-1/2 FHSCS	Booster Body Cap Screw	4	1/4 x 1	Dowel	4
400-1	Body	1	1/4 x 1-1/2	Dowel	4
400-1H	Handle	1	10-32 x 3/16 SSS	Cup Point Screw	1
400-2A	Front Piston	3	10-32 x 5/16 SSS	Dog Point Screw	1
400-2B	Front Piston Rod	1	400-7	Rear Anchor	1
400-5	Piston Stop	1	400-9	Yoke	4
400-17A	Trigger Housing	1	400-10-HD	Heavy Duty Arm	4
400-17B	Trigger Slide	1	400-11	Retainer	1
400-18	Front Housing	1			
400-26	Cover Nut	1	3000-354	Retaining Ring	1
<b>400-27A</b>	<b>Cycling Valve Assembly</b>	<b>3</b>	6227-02	O-Ring	2
156C	Inner Spring	1	6227-07	O-Ring	2
400-27	Cycling Valve Body	1	6227-12	O-Ring	1
400-275	Outer Spring	1	6227-28	O-Ring	1
400-28	Alignment Pin	1	6227-42	O-Ring	3
6227-08	O-Ring	1	6230-11	O-Ring	1
7100-37	Retaining Ring	1	6230-17	O-Ring	2
400-29	Booster Cap	1			
400-29-1	Booster Cap	1			
400-30	Booster Body	2			
400-31	Piston Rod	1			
400-31-1	Piston Rod	1			